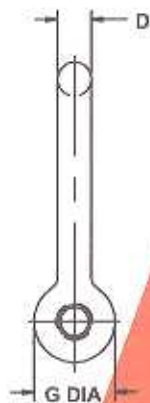
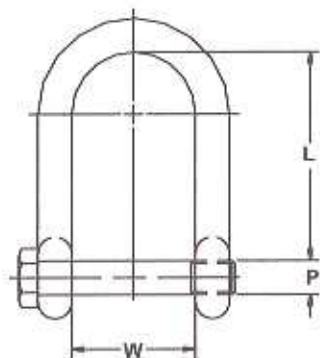


Long Reach Shackles



- Alloy Steel
- Load Rated
- WLL forged on body
- Offered in self-colored or orange urethane finish



Product Code	Pin Number	Working Load Limit	P	D	L	W	G	Weight
Imperial								
		lb.	in.	in.	in.	in.	in.	lb.
M7152	2X7152	10,000	0.88	0.75	4.56	2.75	1.81	2.72
M7154	2X7154	19,000	1.00	1.00	5.50	3.25	2.38	5.86
M7157	2X7157	34,000	1.63	1.50	7.00	4.50	3.50	19.60